

SIMPLE TO VIEW AND DETERMINE

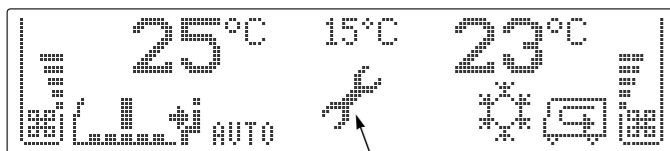
Alarms

The CANAIRE control system uses dual alarm system with two levels of signals:

- ALARM (“RED” alarm)
- WARNING (“YELLOW” alarm)

When any RED alarm appears in system:

- Alarm icon SERVICE WRENCH shows on display.
- Alarm acoustic signal sounds – long beep.
- Arrange repair IMMEDIATELY.

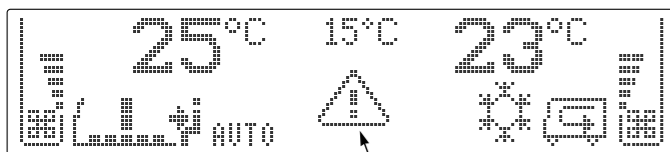


SERVICE WRENCH

Any RED alarm will disable the compressor. This means that cooling (and A/C heating in case of Heat Pump units) will stop working.

When any YELLOW alarm appears in system:

- Warning TRIANGLE shows on display.
- Warning acoustic signal sounds (one long beep).
- Arrange repair as soon as possible.



WARNING TRIANGLE

Alarm codes are stored in the memory to identify possible fault conditions. The alarm records can be displayed on the driver panel by long press of F button (3 s).

Alarm symbols can be removed by restart of control system (use the ON/OFF key to switch OFF, wait for 2 seconds, and then switch ON). After restart, the alarm symbol can appear again, if the reason for alarm still exists. If the alarm comes up again, don't restart the unit repeatedly, this will be of no benefit. Contact the service or Thermo King immediately.

SIMPLE TO SELECT

Setup

Start		Press the 3 buttons AUTO Driver and AUTO Passenger and SMOG for 3 seconds to enter Main Menu.
Menu		Press RED and BLUE buttons on RIGHT SIDE repeatedly to scroll through function menu (UP and DOWN function).
Select		To select required item (folder, sub-menu) press F button (ENTER function).
Upper level		Press AUTO button to go back to upper menu level (ESC function).
Change		To change value for selected (highlighted) item press RED and BLUE buttons on LEFT SIDE repeatedly.
Next		Select next item with RED and BLUE buttons on RIGHT SIDE. (LEFT and RIGHT function).
Finish		Press ON/OFF button shortly to leave the Main Menu.

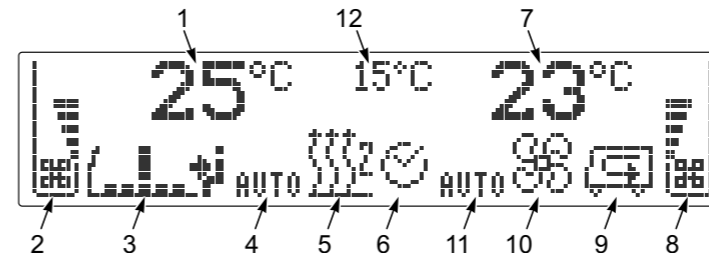
In Setup mode operator can escape Setup menu every time by pressing ON/OFF key. When any function is selected and any value is changed the change is saved to the memory in the same time.

When the ignition is switched OFF, display shows date and time for next 12 seconds. If preheater timer is ON, timer icon will be visible all the time.

If driver panel is ON and time reaches the Preheater set time, no action is executed, preheater will not start, because the driver is present.

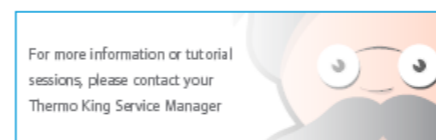
SIMPLE TO VIEW AND DETERMINE

Display



1	Driver area temperature set point*
2	Driver area – airflow indicator (Front Box blower speed)
3	Air flow direction (air distribution damper position) indicator
4	Automatic control of blower speed - Front Box
5	Preheater icon
6	Preheater timer icon
7	Passenger area temperature set point*
8	Passenger area – airflow indicator (HVAC unit blowers speed)
9	SMOG icon
10	HVAC unit operating mode icon
11	Automatic mode of Passenger area blowers speed
12	Ambient temperature*

* Depends on system configuration, driver panel or CANAIRE system setting.



For more information or tutorial sessions, please contact your Thermo King Service Manager



CANAIRE™

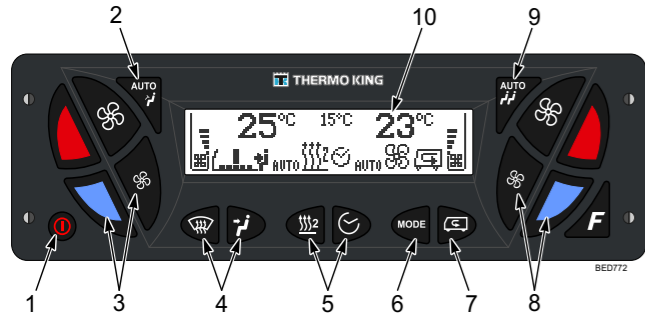
CANAIRE Driver Panel

Drivers Guide to Simple Operation

New Release

SIMPLE TO START

Description

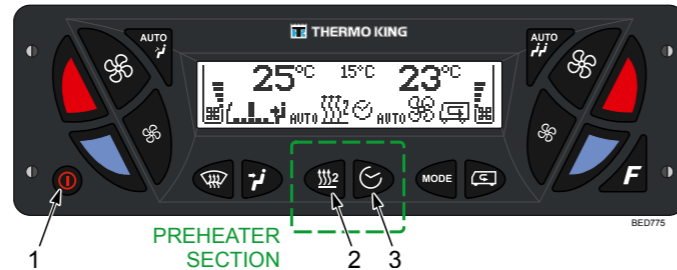


- 1** ON/OFF button
Two possibilities when panel is powered:
 - Blank screen
 - ▶ driver panel is powered but out of operation
 - ▶ To start press ON/OFF button.
 - Standard operating screen.
- 2** Automatic control of blower speed - driver area
- 3** Driver area temperature and air flow setting.
 - To set higher temperature, press RED button.
 - To set lower temperature, press BLUE button.
 - To set higher airflow for windscreen/driver area, press button with big fan. For less airflow, press button with small fan.
- 4** Air flow direction (Air distribution damper position)
 - To change air flow direction between windscreen and driver or to start defrost function.
- 5** Preheater control buttons
- 6** HVAC operating mode button
 - To change HVAC unit operating mode press button repeatedly.
- 7** SMOG mode button*
Turns ON one of the SMOG modes. Please read the section Driver Area Control, point 7 for details.
- 8** Passenger area temperature and air flow setting.
 - To set higher temperature, press RED button.
 - To set lower temperature, press BLUE button.
 - To set higher airflow for passenger area, press button with big fan. For less airflow, press button with small fan.
- 9** Automatic control of blower speed - passenger area
- 10** LCD graphic display

* Depends on system configuration.

SIMPLE TO SET

Preheater control

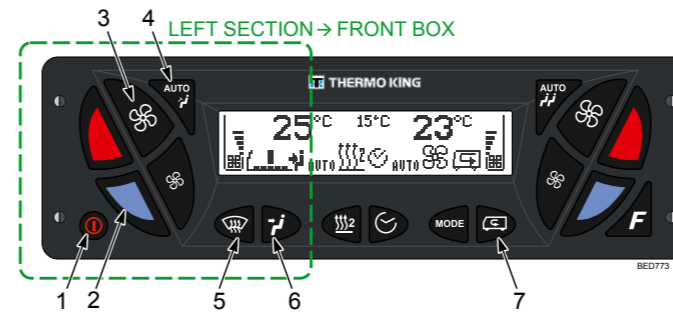


- 1** ON/OFF button
- 2**
 - Press for immediate start of preheater.
 - Press again to stop preheater operation.
- 3** PREHEATER TIMER button
Press shortly to activate the timer. Press long (more than 3 seconds) to set Preheater Wake Up time.
 - a** Press repeatedly to scroll between days, hours or minutes.
 - b** Press repeatedly to set number of days, hours or minutes.
 - c** Repeat steps **a** and **b**.

Press ON/OFF button shortly or Auto passenger's area button.

SIMPLE TO OPERATE

Driver area climate control

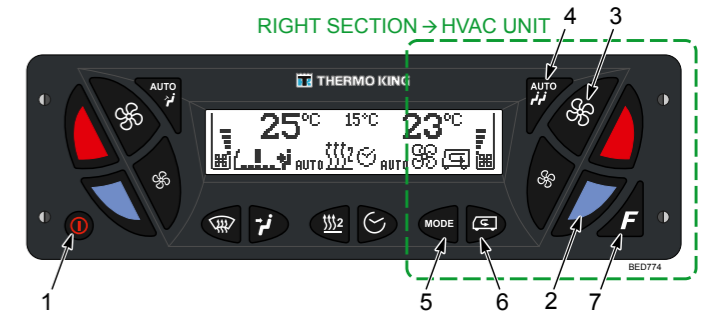


- 1** ON/OFF button
- 2** Driver area temperature setting
RED – higher temperature is required
BLUE – lower temperature is required
NOTE:
Long press (more than 3 seconds) of Left RED or BLUE button will set maximum or minimum setpoints of Front Box. Another long press of these buttons will turn ON the Hi or Lo modes. Short press of Left BLUE or RED button will exit this mode.
- 3** Manual air flow setting (driver area blower speed)
BIG fan – more airflow
SMALL fan – less airflow
- 4** Automatic control of blower speed - driver area
- 5** Air flow direction (air distribution damper position) setting
 Press short – air to windscreen
 Press long – DEFROST/DEMIST function
- 6** Air flow direction (air distribution damper position) setting
 Press short - air to driver seat
- 7** SMOG mode button*
Turns ON or OFF one of the SMOG modes. Press repeatedly to scroll through individual modes. Each mode determines what part of the vehicle is closed or opened to outside air. SMOG mode is terminated automatically after pre-set period of time.
 - Vehicle air flow closed
 - Vehicle air flow opened
 - Driver area air flow closed
 - Driver area air flow opened
 - Passenger area air flow closed
 - Passenger area air flow opened

* Depends on system configuration.

SIMPLE TO OPERATE

Passenger area climate control



- 1** ON/OFF button
- 2** Passenger area temperature setting
RED – higher temperature is required
BLUE – lower temperature is required
NOTE:
Long press (more than 3 seconds) of Right RED or BLUE button will set maximum or minimum setpoints of passenger area. Another long press of these buttons will turn ON the Hi or Lo modes. Short press of Right BLUE or RED button will exit this mode.
- 3** Manual air flow setting (passenger area blowers speed)
BIG fan – more airflow
SMALL fan – less airflow
- 4** Automatic control of blower speed - passenger area
- 5** HVAC unit operating mode
 - Ventilation
 - Heating*
 - Cooling*
 - AUTO mode*
 - Reheat* (TWO DROPS symbol – if available and configured)
- 6** SMOG mode button*
Turns ON one of the SMOG modes. Please read the section Driver Area Control, point 7 for details.
- 7** The F button*

* Depends on system configuration.